

AV-965

Daisy-Chain Tree topology, Gigabit based HDMI Extender



The AV-965 is a one-to-many HDMI Extender based on Gigabit Ethernet Physical Layer with the innovative Daisy-Chain Tree topology. The system includes AV-965T Transmitter, AV-965C Repeater, and AV-965R Receiver. The AV-965T Transmitter has one HDMI input port for HDMI source (PC, Blue-Ray, Player...) and one RJ-45 output port to the AV-965C Repeater or AV-965R Receiver unit. The AV-965C Repeater comes with one RJ-45 input port (from previous Repeater or Transmitter), one HDMI output port to HDMI display, also **two** RJ-45 output ports for Daisy-Chain-Tree to the next Repeater or Receiver.

The AV-965R Receiver comes with one RJ-45 input port (from previous Repeater or Transmitter), and one HDMI output port to HDMI display. The system compress the HDMI and transfer in Gigabit Ethernet Physical Layer, this digital extension technology makes the system noise immunity extremely reliable than those analogue extension technology of "Amplify and Equalize". In order to achieve the best video quality, the system is designed to fully utilize the entire Ethernet packet totally for HDMI data instead of wasting the packet space for IP format; this makes the AV-965 video picture quality much better than those "over IP" products.

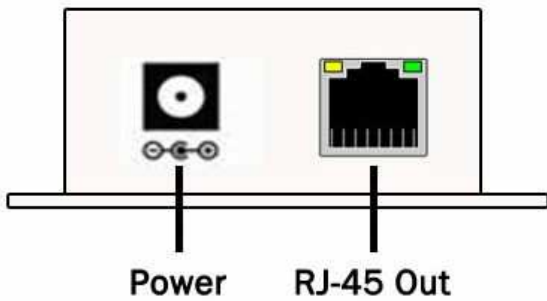
With the innovative Daisy-Chain Tree topology design, the AV-965 is very easy to do the system installation and expanding. This is mostly suitable for the Digital Signage in train platform, shopping malls, schools ... etc.

Features

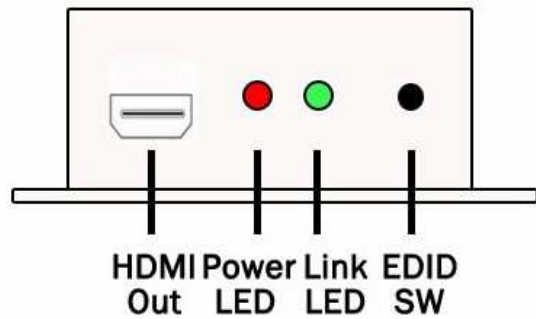
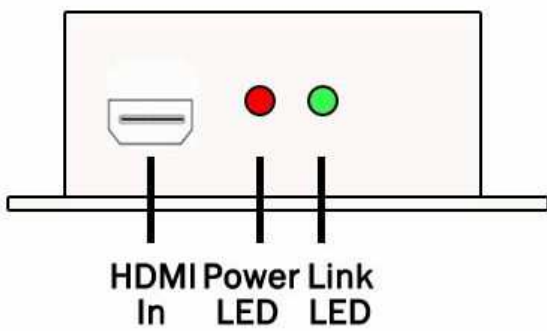
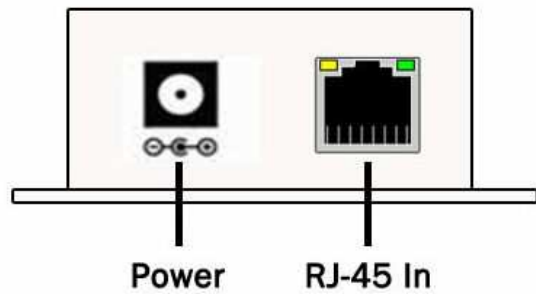
- ❖ Support Full-HD 1080p and PC (1920x1200@60Hz) resolution with Low Latency Time (< 16.7 msec.).
- ❖ Plug-and-Play, one-to-many HDMI extension over industrial approved Gigabit Ethernet Physical Layer.
- ❖ Daisy-Chain Tree topology, very easy to do the cable installation and system expanding.
- ❖ Support DDC, Hot-Plug Detection (HPD), HDCP Functions.
- ❖ Support default TX EDID, and Selected RX EDID mode.
- ❖ Support High Definition Audio (HD), 5.1/6.1/7.1 Surround Sound, 192KHz Multiple Channels.
- ❖ Fully utilize the Ethernet packet totally for HDMI data, picture quality and performance is better than "over IP" products.
- ❖ Optional interface extension: IR/RS232.

Front and Back View:

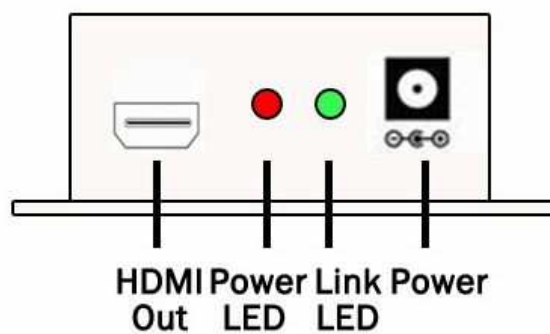
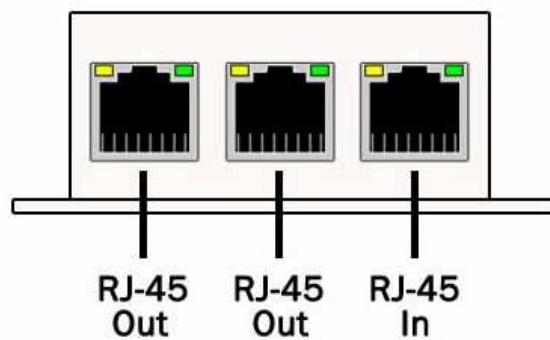
AV-965T Transmitter



AV-965R Receiver



AV-965C Repeater



Specification

Model No.		AV-965T Transmitter	AV-965R Receiver	AV-965C Repeater
Connectors	HDMI Input	1	N/A	N/A
	HDMI Output	N/A	1	1
	RJ-45 Input	N/A	1	1
	RJ-45 Output	1	N/A	2
	Power	DC 5V 2A		
	EDID select button	N/A	1	
Resolution		1920X1200@60Hz (or 1080p)		
Support Format		VESA/CVT/HDTV Timing Spec.		
Latency Time		N/A	< 1 fps (~ = 16.7ms.)	Depending on level of chaining
Compression Algorithm		Visually Lossless Compression Algorithm		
Cable Medium		CAT 6 / 7		
Audio Support Format		Support High Definition Audio, 5.1/6.1/7.1 Surround Sound, 192KHz Multiple Channels		
Cable Distance		Point to Point: 100 meters		
Tree Chain Configuration		N/A		Max. 10 levels. Max. 100 displays.
Daisy Chain Configuration		N/A		Max. depth: 31 levels
Environment	Operation Temperature	0~70°C		
	Storage Temperature	-20~85°C		
	Humidity	0~80% Non-condensing		
Physical Properties	Material	Metal chassis with mounting holes		
	Weight	285g	285g	321g
	Dimension	11.4L x 9.6W x 2.5H cm	11.4L x 9.6W x 2.5H cm	14.7L x 9.6W x 2.5H cm

