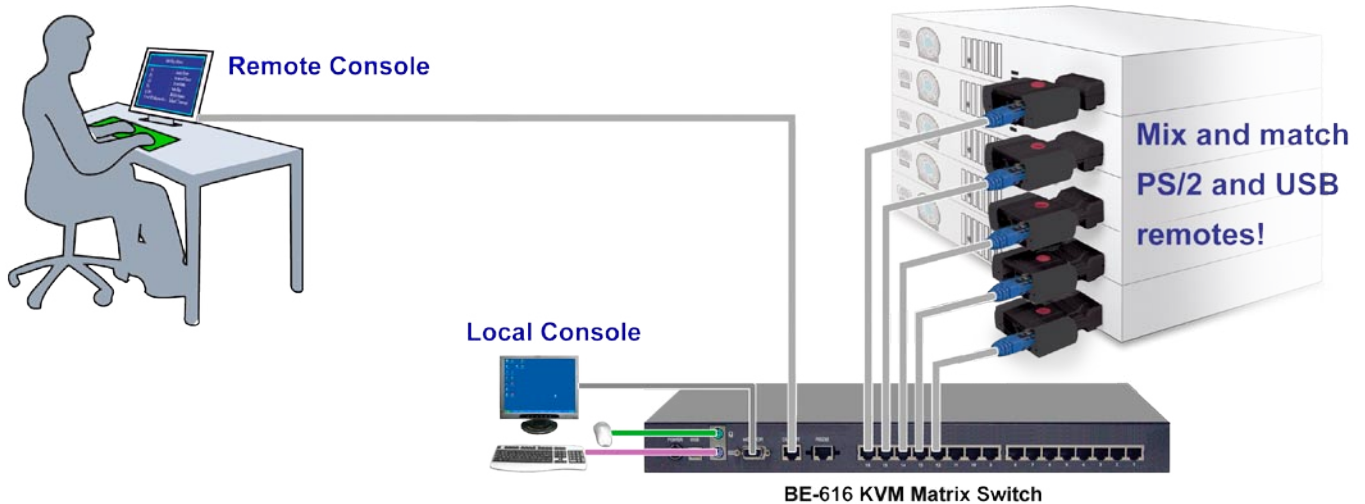


# CAT5 KVM Switch

...models BE-616, BE-632



The BE-616 and BE-632 are dual access matrix KVM switch consoles that provide an individual connector for each server.

The KVM console (with keyboard, monitor and mouse) can access and control up to 16 or 32 servers, or leverage installation by connecting to existing KVM units. OSD hotkeys can be user-defined to accommodate existing KVM equipment.

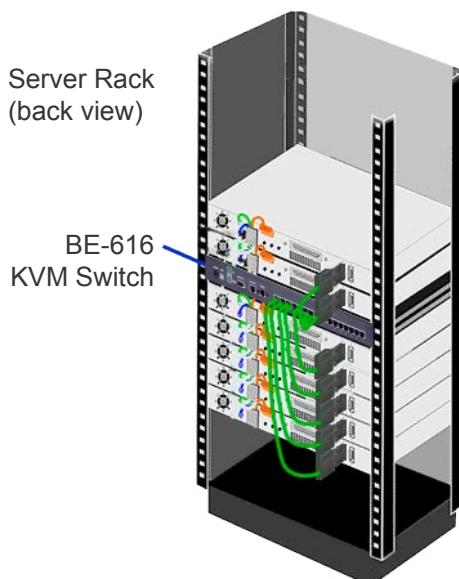
Servers are easy to access and control using either the panel switches or the simple on-screen menu. Servers can be added at any time without interrupting server operation. Convenient 1U, 19-inch rack size.

Enjoy clean, tidy CAT5 or CAT6 cabling—a big improvement over heavy, old style KVM cables!

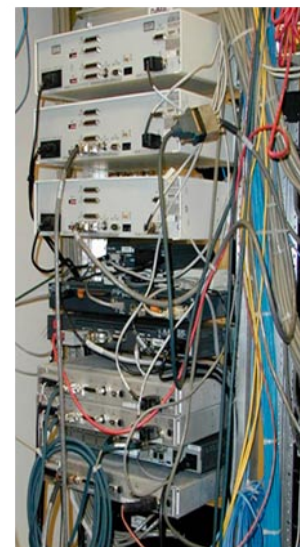
*BE-632 front*



*BE-632 back*



*Clean BE-616 CAT5 KVM cabling.*

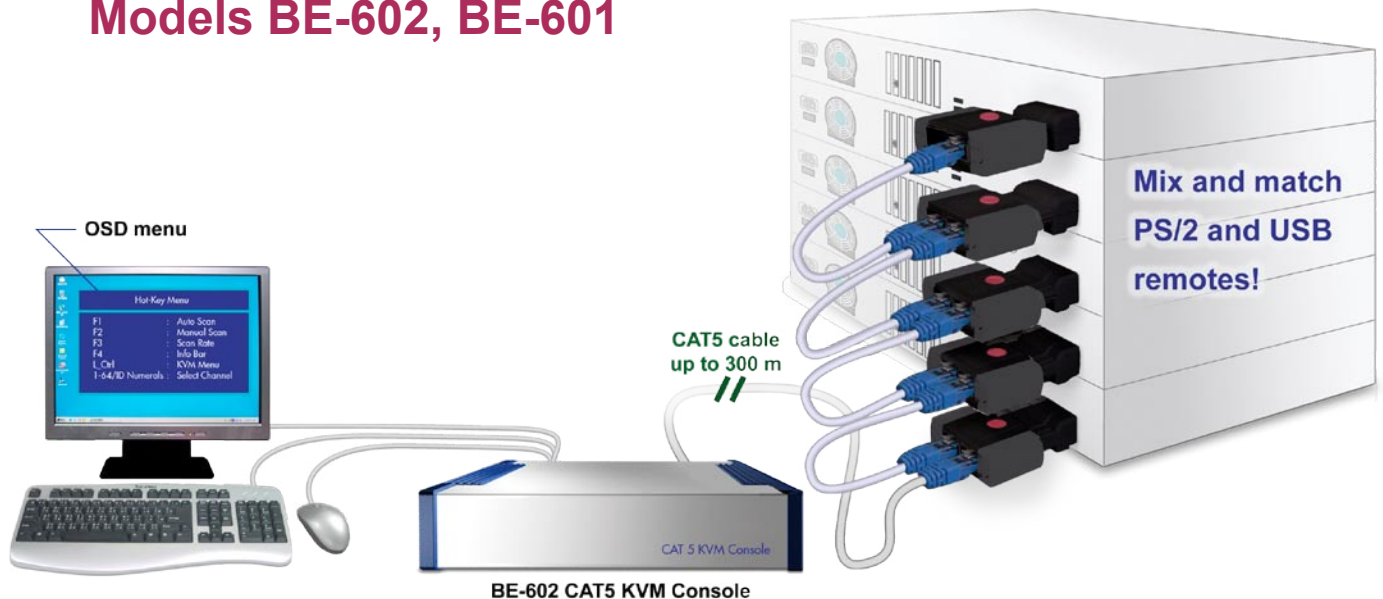


*Old style cabling.*

# CAT5 KVM Switch

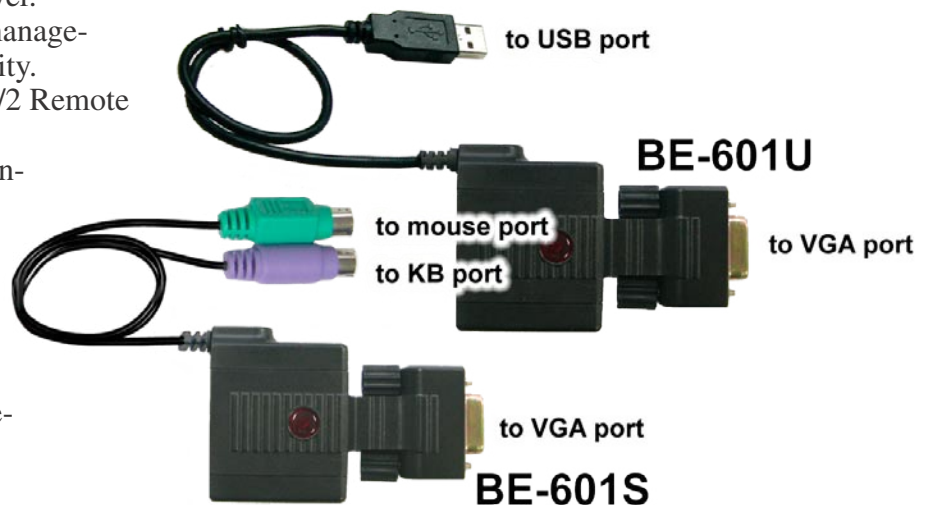
**Expandable to 64 servers!**

**Models BE-602, BE-601**



- ▲ Ultramini, zero-U, distributed KVM units require no rack space, no shelf or table space.
- ▲ Operate from up to 300 meters (1,000 ft) over clean UTP cabling.
- ▲ Razor sharp 1280 x 1024 @75Hz.
- ▲ Up to 64 servers per chain.
- ▲ Compatible with existing KVM equipment; makes an excellent KVM console extender.
- ▲ Each signal independently adjustable for gain and focus.
- ▲ Fail-safe auto pass-thru.
- ▲ Self-diagnostic firmware.
- ▲ Firmware auto-assigns each server a unique sequential ID number, and retains it in flash memory.
- ▲ Operator can name each server.
- ▲ OSD (On Screen Display) management, with multi-layer security.
- ▲ Mix and match USB and PS/2 Remote units as needed.
- ▲ System independent: run Windows, Linux/UNIX, DOS.
- ▲ Pay only for what you need; expand when you want.
- ▲ Select units (look for an L in the model number) support dual access (local device control).

## Remote Modules



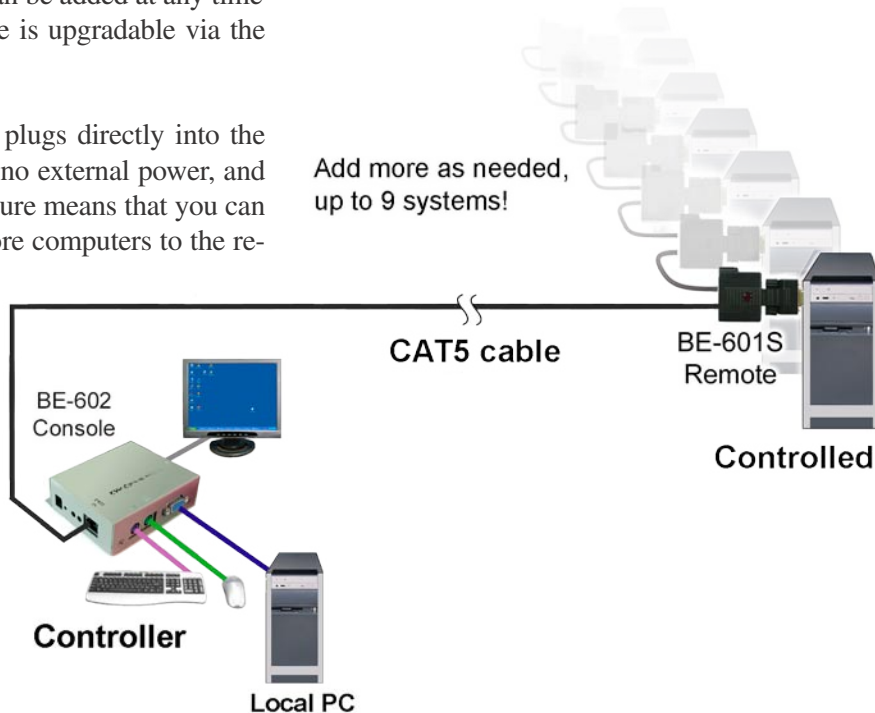
# CAT5 KVM Extender

...expandable to 10 ports, distance to 300 meters (1,000 feet)

The KS602L kits provide keyboard, monitor, and mouse control for a remote group of up to 9 servers. Servers can be up to 150 meters (500 feet) from the console, and consoles with video skew adjustment (the X units) sustain cable runs *twice* that long: 300 meters (1,000 feet). Servers can be added at any time without interrupting operation, and firmware is upgradable via the console USB port.

The cascadeable Compact Remote Module plugs directly into the VGA port on the remote server. It requires no external power, and takes up no rack space. The cascadeable feature means that you can conveniently daisychain remotes, adding more computers to the remote group as desired, and even mix PS/2 and USB types at will.

Add more as needed, up to 9 systems!



## Switch focus via hotkeys:

<ctrl + ctrl + 0> = home computer

<ctrl + ctrl + 1> = 1<sup>st</sup> remote

<ctrl + ctrl + 2> = 2<sup>nd</sup> remote, etc.

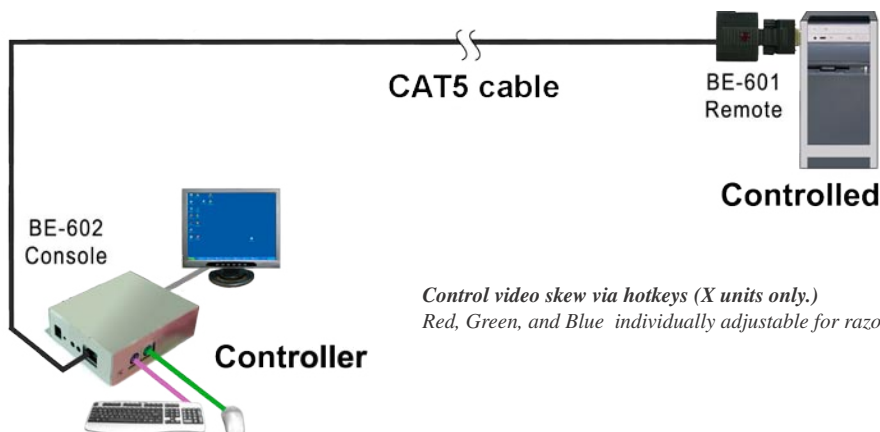
Control video skew via hotkeys (X units only.) Red, Green, and Blue individually adjustable for razor sharp image.

# CAT5 Console Extender






...KVM control up to 300 meters (1,000 feet)






The CAT5 Console Extender kits provide keyboard, monitor, and mouse control for a remote PC or server. This remote computer can be up to 150 meters (500 feet) from the console, and consoles with video skew adjustment (the X units) sustain cable runs *twice* that long: up to 300 meters (1,000 feet). Firmware is upgradable via the console USB port.

The Compact Remote Module plugs directly into the VGA port on the remote computer. It requires no external power, and takes up no rack space.



## Specifications

CAT5 KVM Consoles					
Order No.	BE-602/602X 	BE-602ES/602EXS 	BE-602ESP/602EXSP 	BE-602EL/602EXL 	BE-616/632 
System Cable	CAT5 (minimum), FTP Solid Wire 2x4x24 AWG, standard 568B RJ-45 connector				
Connectors/ Controls	Monitor: HDD15F *1 Keyboard: MiniDin6F *1 Mouse: MiniDin6F *1 System In: RJ45 *2 System Out: RJ45 *2 Video gain: Mini pot *1 Video EQ: Mini pot *1 RGB Skew: TypeB USB *1 (602X only) Power: Jack *1	Monitor: HDD15F *1 Keyboard: MiniDin6F *1 Mouse: MiniDin6F *1 System In: RJ45 *1 Upgrade: TypeB USB *1 Video gain: Mini pot *1 Video EQ: Mini pot *1 RGB Skew: TypeB USB *1 (602EXS only) Power: Jack *1	Monitor: HDD15F *1 KB: MiniDin6F *1 Mouse: MiniDin6F *1 System In: RJ45 *1 Upgrade: TypeB USB *1 Video gain: Mini pot *1 Video EQ: Mini pot *1 RGB Skew: TypeB USB *1 (602EXSP only) Power: Jack *1	Monitor: HDD15F *1 PC: HDD15F *1 Keyboard: MiniDin6F *1 Mouse: MiniDin6F *1 System In: RJ45 *1 Video gain: Mini pot *1 Video EQ: Mini pot *1 RGB Skew: TypeB USB *1 (602EXL only) Power: Jack *1	Monitor: HDD15F *1 RS232: HDD9F *1 Keyboard: MiniDin6F *1 Mouse: MiniDin6F *1 USB: Type BF *1 Output: RJ45 *1 Matrix Out: RJ45 *1 System In: RJ45 *16/32 Power: Jack *1
Control	OSD/KB	KB	KB	KB	OSD/KB/panel buttons
Cascadable	✓	-	-	-	-
Vid. Gain/EQ	✓	✓	✓	✓	✓
Vid. RGB Skew	-/✓	-/✓	-/✓	-/✓	✓
Distance	to 150/300m (up to 500/1000ft)	to 150/300m (up to 500/1000ft)	to 150/300m (up to 500/1000ft)	to 150/300m (up to 500/1000ft)	to 300m (up to 1000ft)
Video	1280x1024 @ 75 Hz	1280x1024 @ 75 Hz	1280x1024 @ 75 Hz	1280x1024 @ 75 Hz	1280 x 1024 @ 75 Hz
Dimensions	41.5Hx180Dx204.5W mm (1.63Hx7.09Dx8.05W in.)	75 x 98 x 30mm (3 x 3.9 x 1.2in.)			440H x 133D x 483W mm (1.75H x 5.25D x 19W in.)
Weight	750g	240g			1410g
Power	Ext. 100~240VAC > 25W ±5VDC	External 100~240VAC > 5W 5VDC			Ext. 100~240VAC > 25W ±5VDC
Op. Temp.	...up to 50°C (122°F)				
Store Temp.	-40° ~ +70° C (-40°~158°F) non-condensing				

CAT5 KVM Remote Modules				
Order No.	BE-601S 	BE-601U 	BE-601L  <i>back</i>  <i>front</i>	BE-601UL 
System Cable	CAT5 (minimum), FTP Solid Wire 2x4x24 AWG, standard 568B RJ-45 connector			
Cables & Connectors	VGA: HDD15 M *1 KB: MiniDin6M *1 Mouse: MiniDin6M *1 System In: RJ45 *1 System Out: RJ45 *1	VGA: HDD15 M *1 PC: USB *1 System In: RJ45 *1 System Out: RJ45 *1	VGA: HDD15M *1 Monitor: HDD15F *1 KB: MiniDin6M *1 MiniDin6F *1 Mouse: MiniDin6M *1 MiniDin6F *1 System In: RJ45 *1 System Out: RJ45 *1	VGA: HDD15M *1 Monitor: HDD15F *1 PC: USB *1 MiniDin6F *1 System In: RJ45 *1 System Out: RJ45 *1
Dimensions	(less connectors) 21 x 81 x 50 mm (0.8 x 3.2 x 2.0 in.)		(less connectors) 21 x 81 x 56 mm (0.8 x 3.2 x 2.2 in.)	
Weight	80g	75g	115g	84g
Power	From KB/Mouse port 5V DC 200mA	From USB port 5V DC 200mA	From KB/Mouse port 5V DC 200mA	From USB port 5V DC 200mA
Op. Temp.	...up to 50°C (122°F)			
Store Temp.	-40° ~ +70° C (-40°~158°F) non-condensing			