

AVK-901

DVI/VGA with Audio Extender over IP for Digital Signage

The AVK-901 is a perfect solution to extend DVI/VGA with Audio & RS-232 signals over IP Ethernet. It is useful in a wide range of digital signage applications that require one-to-many, many-to-many distribution, such as: informational displays, corporate signage, boardrooms, courtrooms, train-station, shopping mall, medical, military, and school/college.

The Transmitter connects with a PC or any device with VGA/DVI/Audio outputs. The Receiver connects to DVI/VGA display, and optional speaker/RS232 device. All available 100M, Gigabit or Fiber Ethernet LAN switches can be used to connect the Transmitter and the Receiver. You don't need to have a dedicated line for the system. Just plug the transmitter and receiver into Ethernet network then you can enjoy the real time high quality audio and video contents. Especially, AV-901R100A has audio 10W Amplifier. (VESA 100 size)



KV-901T Transmitter



AV-901R Receiver

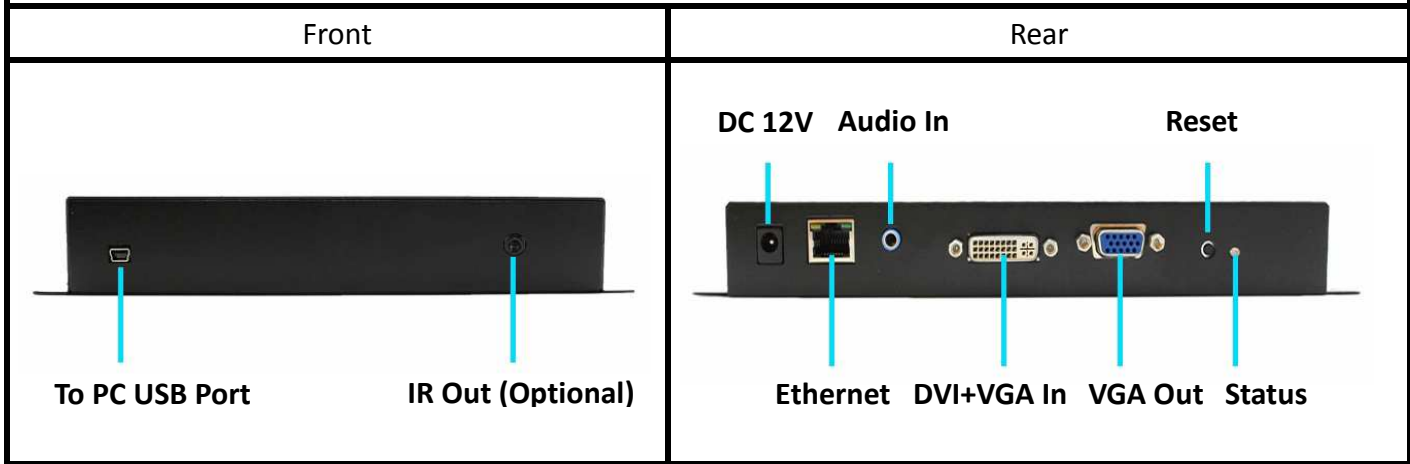


AV-901R100A Receiver

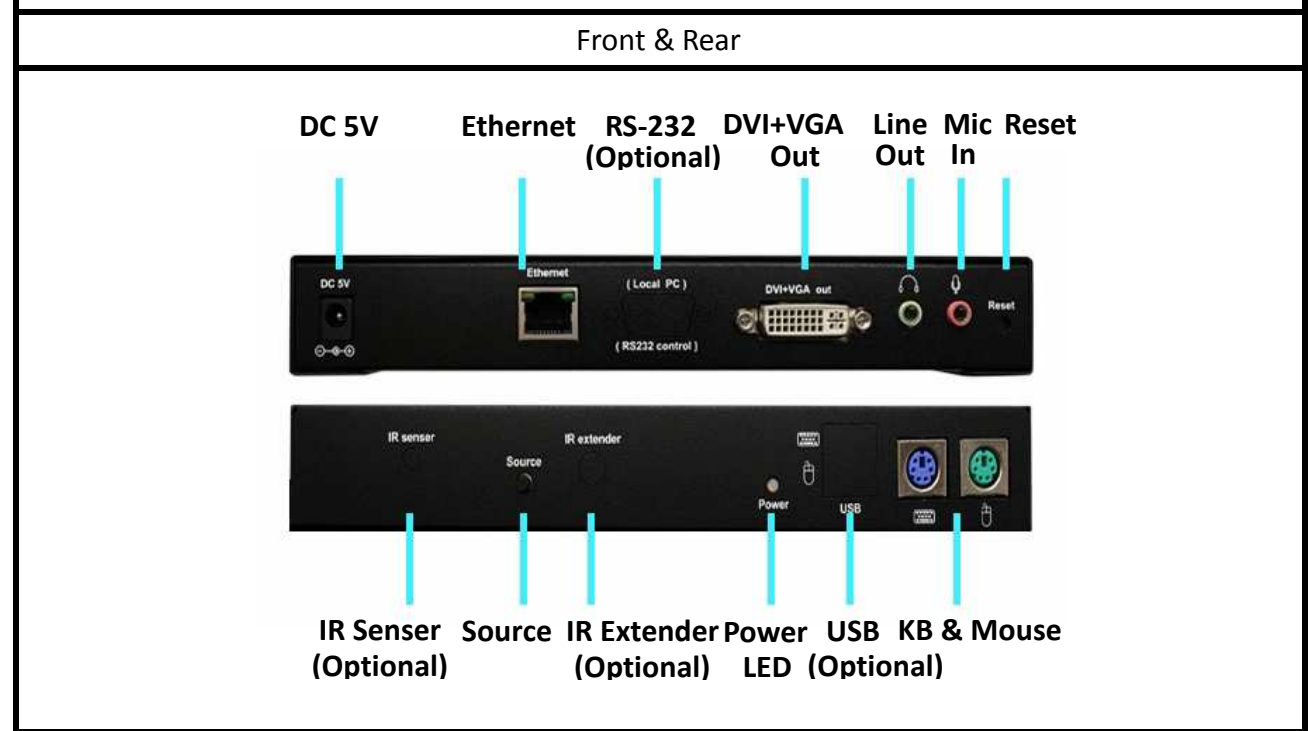
Features

- ❖ Just simply attach the VGA/DVI and audio to the KV-901T transmitter, it starts to encode audio/video to the IP network.
- ❖ Just simply attach the AV-901R receiver; it starts to decode from the IP network to the monitor and speaker.
- ❖ AV-901R100A receiver built-in 10 Watt audio Amplifier.
- ❖ Support one-to-one (unicast) and one-to-many (multicast) mode for Audio/Video real time broadcasting. Also supports multiple- to-multiple mode for group broadcasting if the Ethernet switch has the IGMP snooping.
- ❖ Receivers can be configured as either in Individual or Video-Wall mode.
- ❖ Support available Transmitters list OSD menu for the receiver to select.
- ❖ Management software provides RS-232 command extension for remotely turn on/off displays, input source selection, volume control... etc.
- ❖ Support HD video and stereo audio.
- ❖ Pure hardware design, plug-and-play, no additional software installation is required.
- ❖ (Optional) Support IR bridge function, you can use the IR remote controller at Receiver site to control the set-top box at the Transmitter site.
- ❖ An optional manager software (AV-900S) can be installed on any Windows PC to manage the TX/RX connection and Video-Wall configuration.

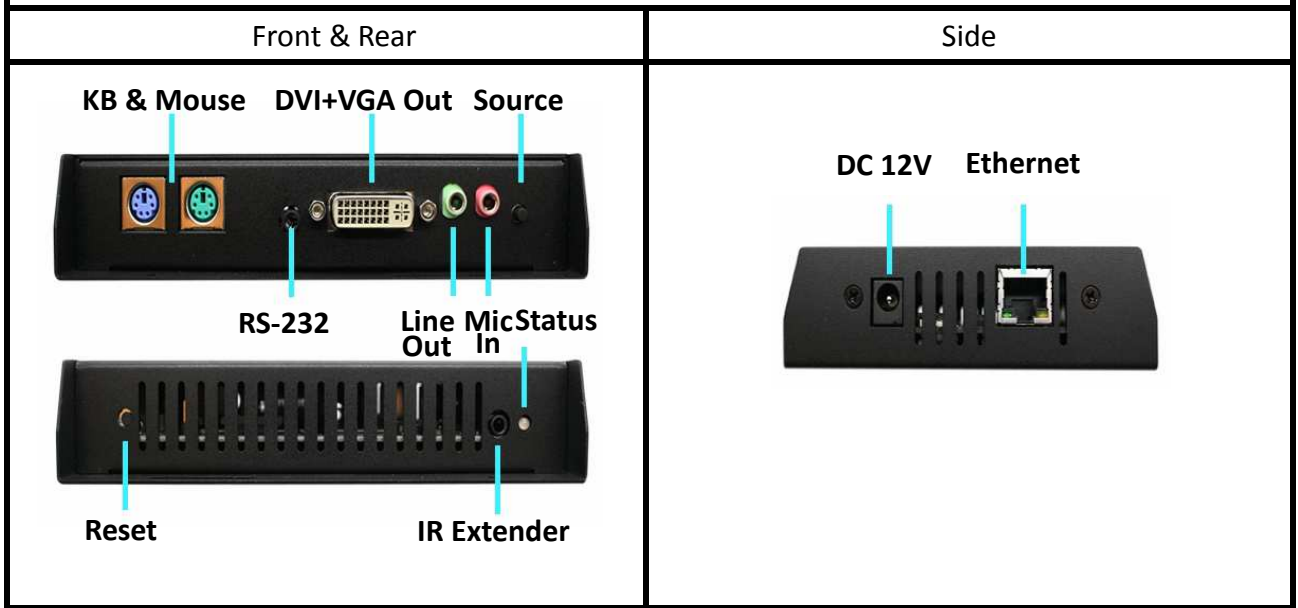
KV-901T Transmitter



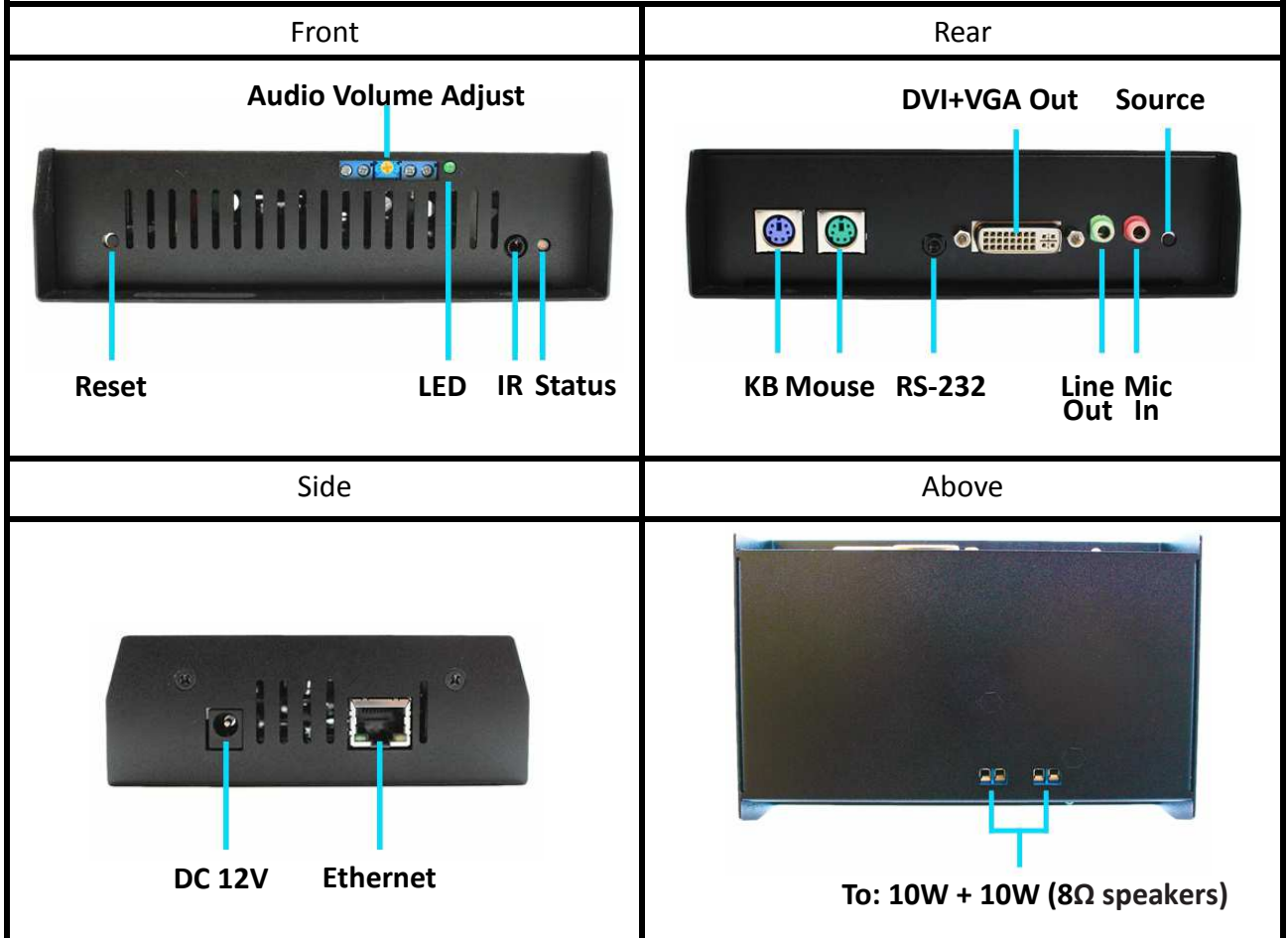
AV-901R Receiver



AV-901R100 Receiver



AV-901R100A Receiver



Specification

Model No.		KV-901T Transmitter	AV-901R Receiver	AV-901R100 Receiver	AV-901R100A Receiver	AV-901RU Receiver	AV-901RL Receiver
Connectors	DVI-I In	1	N/A	N/A	N/A	N/A	N/A
	DVI-I Out	N/A	1	1	1	1	1
	VGA Loop-out	1	N/A	N/A	N/A	N/A	N/A
	VGA-In	N/A	N/A	N/A	N/A	N/A	1
	Power	12V DC IN	5V DC IN	12V DC IN	12V DC IN	5V DC IN	5V DC IN
	10/100 Ethernet	1 x RJ45					
	Audio Amplifier output	N/A	N/A	N/A	10W + 10W (8Ω load)	N/A	N/A
	3.5 mm Audio-In	1	N/A	N/A	N/A	N/A	N/A
	3.5 mm Audio-Out	N/A	1	1	1	1	1
	3.5 mm Mic-In	N/A	1	1	1	1	1
	IR remote control (option)	1 x IR Blaster	1 x IR Receiver	1 x IR Receiver	1 x IR Receiver	1 x IR Receiver	1 x IR Receiver
	Keyboard/Mouse PC uplink	1 Mini USB	N/A	N/A	N/A	N/A	N/A
	Keyboard/Mouse device	N/A	PS2	PS2	PS2	PS2&USB	PS2
	RS-232 Control (option)	N/A	1	1	1	1	1
Resolution		Up to 1920X1080					
Inter-connect Cable		CAT5/5e or CAT6					
Environment	Operation Temperature	0~70°C					
	Storage Temperature	-20~85°C					
	Humidity	0~80% Non-condensing					
Physical Properties	Material	Metal (Black)					
	Weight	720g	330g	447g	521g	330g	330g
	Dimension	24.2L x 11.6W x 2.9H cm	20.7L x 10.8W x 3H cm	15.2L x 11W x 2.9H cm	15.7L x 11W x 4.1H cm	20.7L x 10.8W x 3H cm	20.7L x 10.8W x 3H cm

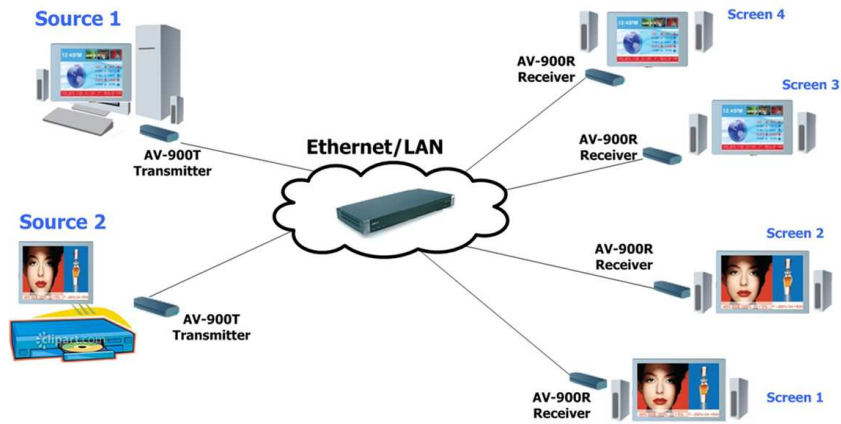
RS-232 Pin Assignment:

(RX means Receiver; TX means Transmitter)

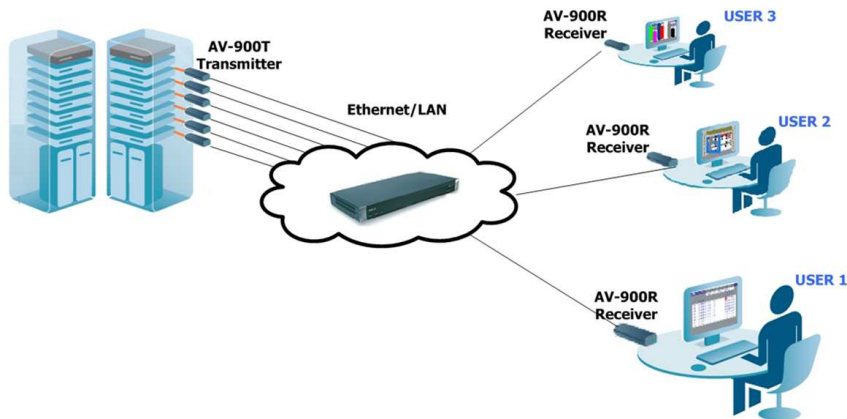
Sign	GN	TxD	RxD	RT	CT	DT	DS	-NC-	-NC-
Rx	5	3	2	7	8	4	6	1	9
Tx	5	2	3	8	7	6	4	1	9

Diagram

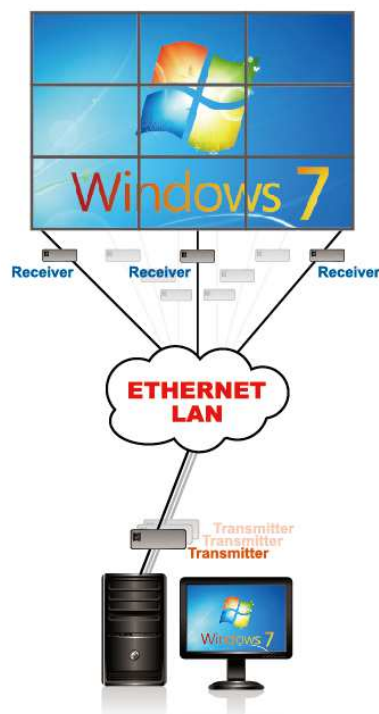
1. For Digital Signage Application



2. For KVM Application



3. For Video-Wall Application



Ordering Information

KV-901T	VGA/DVI/Audio over IP Transmitter
AV-901R	VGA/DVI/Audio over IP Receiver with PS2 downlink
AV-901R100	VGA/DVI/Audio over IP Receiver with PS2 downlink (VESA 100 mounting)
AV-901R100A	VGA/DVI/Audio over IP Receiver with PS2 downlink and Audio 10W Amplifier (VESA 100 mounting)
AV-901RU	VGA/DVI/Audio over IP Receiver with PS2 and USB downlink
AV-901RL	VGA/DVI/Audio over IP Receiver with PS2 downlink and local VGA-In
AV-901RS	VGA/DVI/Audio/RS232 over IP Receiver with PS2 downlink
AC-IR-EC38	Optional 38KHz IR extension cable for AV-901R100/100A
AC-HP-RSM	Optional Phone-to-RS232 Male extension cable for AV-901R100/100A